



SDD BLT0202

2-Side Trimmer for Konica Minolta Production Booklet Finishing Systems

In-line finishing solutions
for professional results



SDD
Smart Dedicated Design

SDD BLT0202 2-Side Trimmer

Cost effective, reliable trimming solutions for Konica Minolta Production Printers. Unlimited finishing power.

SDD BLT0202 2-Side Trimmer with standard SDD Belt Stacker and optional SDD SquareFold Module SFM0704.



The BLT0202 2-Side Trimmer is a cost effective full-bleed solution from SDD for Konica Minolta printers. In combination with the optional SFM0704 SquareFold Module it is possible to produce professional full-bleed, flat booklets with a very small footprint for the environment.

The 2-Side Trimmer can be easily set-up through the digital display. The side trim can be adjusted quickly and with precision. Various jobs can be saved in the memory.

Specially design for high reliability, the BLT0202 can run long production cycles without the need for operator intervention.

Quality and innovation for booklets



**Professional
full-bleed booklets**

**Reliable
Robust design
Top-bottom trim
Easy to use**

**Finishing
POWER**

The BLT0202 works in-line with Konica Minolta production printers to create a complete full-bleed printing and booklet making system that is perfect for a wide range of on-demand applications. Reports, brochures, manuals, policy documents and more can be quickly printed and finished in one streamlined operation without the need for additional handling or finishing steps in-between.

SDD - Your partner in finishing solutions

Synergy...

SDD BLT0202 2-Side
Trimmer in-line with Konica
Minolta bizhub press C8000
with standard SDD Belt
Stacker and optional SDD
SquareFold Module



Compatibility

Requires connection to SD-501 or SD-506
Konica Minolta Booklet Stitching Finishing Option.

Digital Colour Production:

bizhub C6500 and C6501

bizhub PRESS C6000/C7000/C8000

Océ CS665 (with Konica Minolta SD-501 or SD-506)

Digital Black&White Production:

bizhub 1050 and 1051, bizhub 1200

Finishing
POWER

For in-line use with Konica Minolta production printers with SD-501/506 Booklet Stitching Finisher.



Konica Minolta bizhub PRESS C8000

Infeed:

SD-501/506 Booklet Stitching Finisher

Outfeed:

SDD Belt Stacker (standard)

SDD Long Belt Stacker (on request)

SDD SFM0704 SquareFold Module (optional)



SDD - Your partner in finishing solutions

Performance

Design Life Time of 3,6 million products or 5 years

Machine Up Time is ≥ 96 % of production time

Scheduled Maintenance Rate for 1,2 million images or 150K booklets

Operation through control panel

On / Off switch available

Mechanical counter for number of cuts

Base on wheels with brake at rear side

25 sheets capacity

Up to 1800 booklets/hour*

Paper weight 60 - 300 gsm*

*(80 gsm, 100 pages)

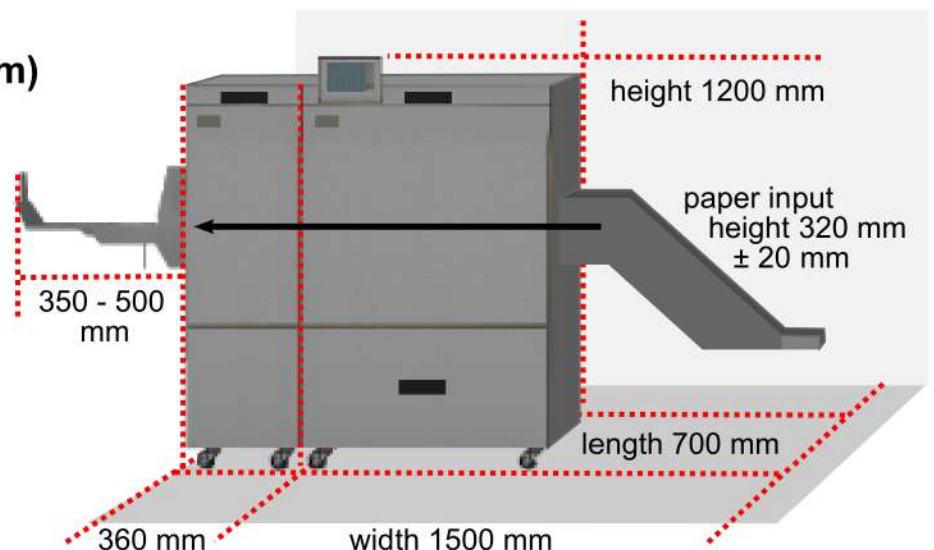
Dimensions

700 L x 1500 W x 1200 H (mm)

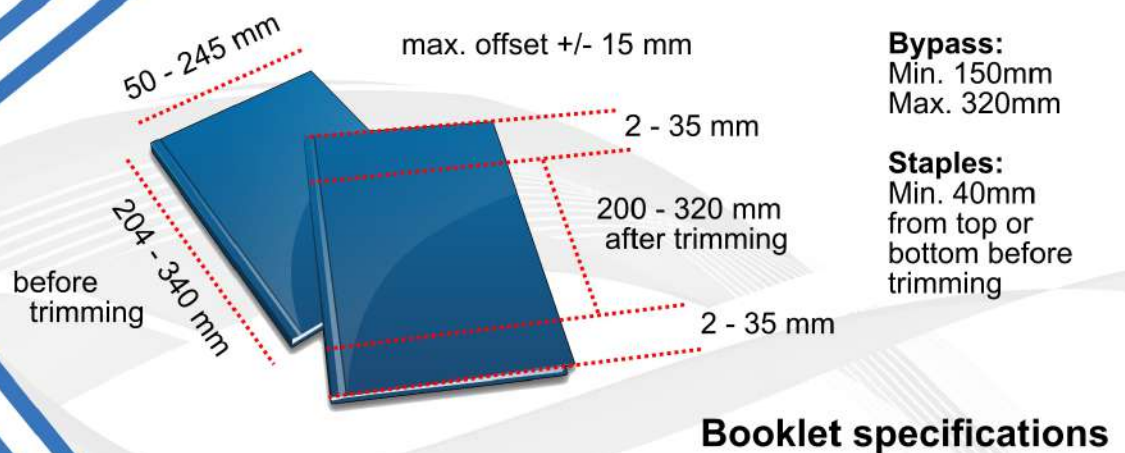
320 mm input height

760 mm output height

With floor plate with bracket connection from 2-Side Trimmer to floor plate, using the SDD Universal Bracket.



Precision finishing for professional results...



| | |
|--------------------|--------------|
| Machine weight: | ± 220 kg |
| Paper weight: | 60 – 300 gsm |
| Noise level: | ≤ 70 dB |
| Humidity range: | 30 to 60% RH |
| Temperature range: | +17 to +30°C |
| Power consumption: | 510 VA max. |


Power: 120-230V, 50Hz or 60Hz
100/110/120/127V 60 Hz

This machine is manufactured in conformity with European Union's highest standards on quality and safety.

The BLT0202 is CE, Weee, RoHs and TÜV-GS certified.



SDD - Your partner in finishing solutions



For more information on these and other products and services from SDD go to our website. If you have any questions then call or mail us straight away. We are looking forward to hearing from you!

SDD Headquarters

Brinkerweg 5
8166 GD EMST

Tel: +31 (0)578 662 662
Fax: +31 (0)578 662 666

General information: info@sdd.nl
Sales enquiries: sales@sdd.nl

Web: www.sdd.nl

Folder version 1.1 ©2011 SDD - Illustrations and specifications do not necessarily apply to the standard version of machines in all local markets. Technical specifications subject to change without prior notice. All products mentioned in this brochure are claimed as trademarks or registered trademarks of their respective companies.